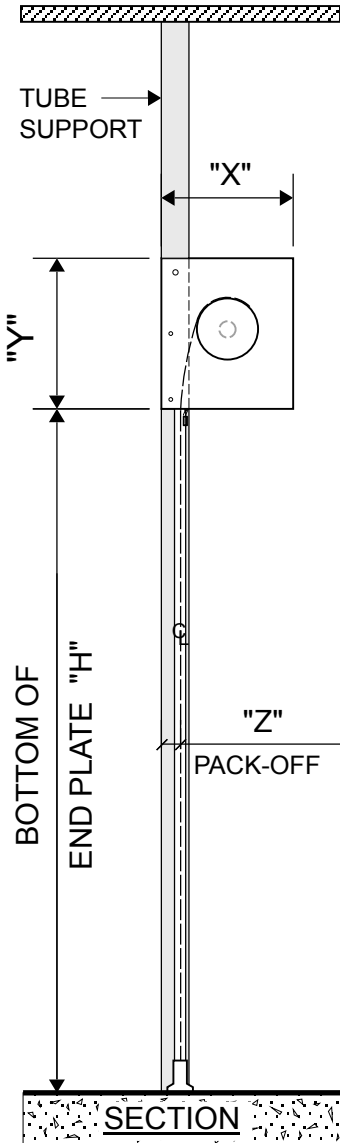


## End plate details & Pack-off

METRIC

### End plate sizes ( For doors maximum 6,7m wide )



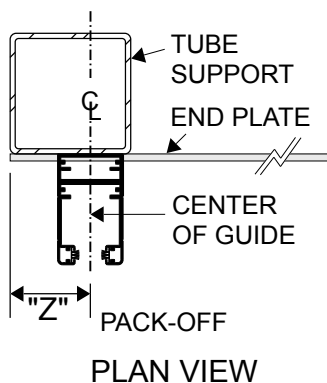
168mm dia BARREL - CEILING HEIGHT (meters)					END PLATE "X" x "Y"
ROLL-VISION, R-AIR & R-SHUTTER WITH OR WITHOUT HOOD	ROLL-126 & ROLL-GUARD		ROLL-99		
	WITH HOOD	NO HOOD	WITH HOOD	NO HOOD	
up to 1,8m	254 x 254 Not available	254 x 254 Not available	254 x 254 Not available	254 x 254 Not available	254 x 254 use support 51mm
1,8m to 3,0m	up to 1,8m	up to 1,8m	up to 1,8m	up to 1,8m	305 x 305 use 127mm C.wheel
3,0m to 5,5m	1,8m to 3,0m	1,8m to 3,7m	1,8m to 4,0m	1,8m to 4,9m	356 x 406 min for motor
5,5m to 6,1m	3,0m to 4,6m	3,7m to 5,2m	4,0m to 6,1m	4,9m to 6,1m	406 x 457 min for 102mm tubes
Over 6,1m Not available	4,6m to 6,1m	5,2m to 6,1m	Over 6,1m Not available	Over 6,1m Not available	457 x 508

### End plate sizes ( For doors over 6,7m wide / maximum 9,1m wide )

203mm dia BARREL - CEILING HEIGHT (meters)					END PLATE "X" x "Y"
ROLL-VISION, R-AIR & R-SHUTTER WITH OR WITHOUT HOOD	ROLL-126 & ROLL-GUARD		ROLL-99		
	WITH HOOD	NO HOOD	WITH HOOD	NO HOOD	
up to 4,6m	up to 2,4m	up to 3,0m	up to 3,4m	up to 4,3m	356 x 406 (25mm shaft) min for motor
4,6m to 6,1m	2,4m to 4,0m	3,0m to 4,6m	3,4m to 5,5m	4,3m to 6,1m	406 x 457 (32mm shaft) min for 102mm tubes
Over 6,1m Not available	4,0m to 4,6m	4,6m to 5,2m	5,5m to 6,1m	Over 6,1m Not available	457 x 508
Over 6,1m Not available	4,6m to 6,1m	5,2m to 6,1m	Over 6,1m Not available	Over 6,1m Not available	508 x 559

### End plate sizes: 102mm & 114mm dia Barrel ( For Counter Shutter & SLIM models )

CEILING HEIGHT		END PLATE
WITH HOOD	NO HOOD	
up to 1,8m	up to 2,1m	203 x 203
1,8m to 3,0m	2,1m to 3,7m	254 x 254



### Pack-off "Z"

SUPPORT	For 76x76mm tubes and 44x102mm Alum tubes			For 102x102mm tubes	
	CEILING HEIGHT	up to 3,0m	3,0m to 4,0m	4,0m to 5,0m	up to 3,4m
PACK-OFF "Z"	51mm	57mm	64mm	57mm	64mm

\* For Angle support, pre-drilled holes indicate pack-off.