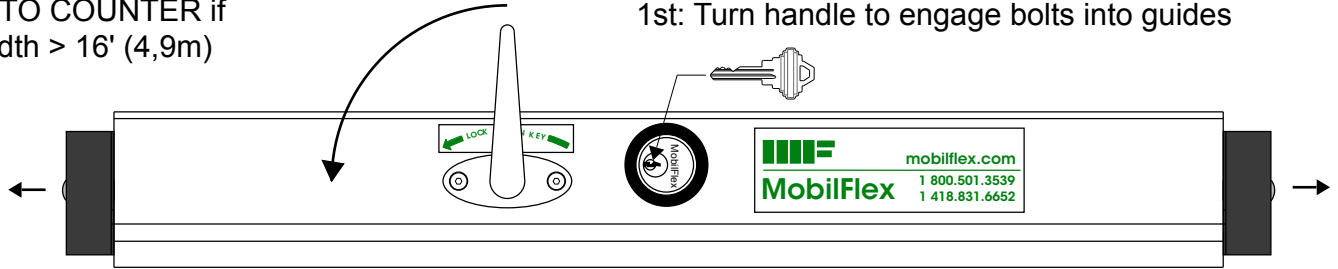


Bottom bar locking

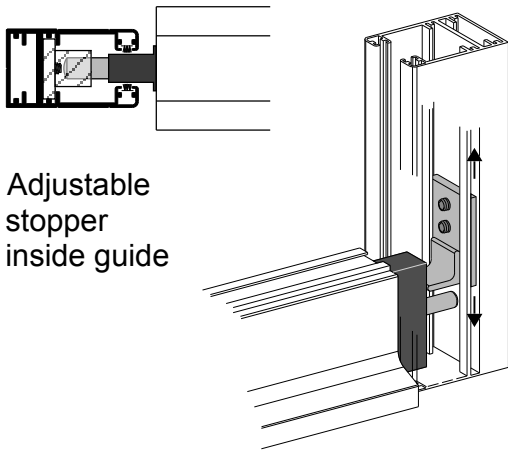
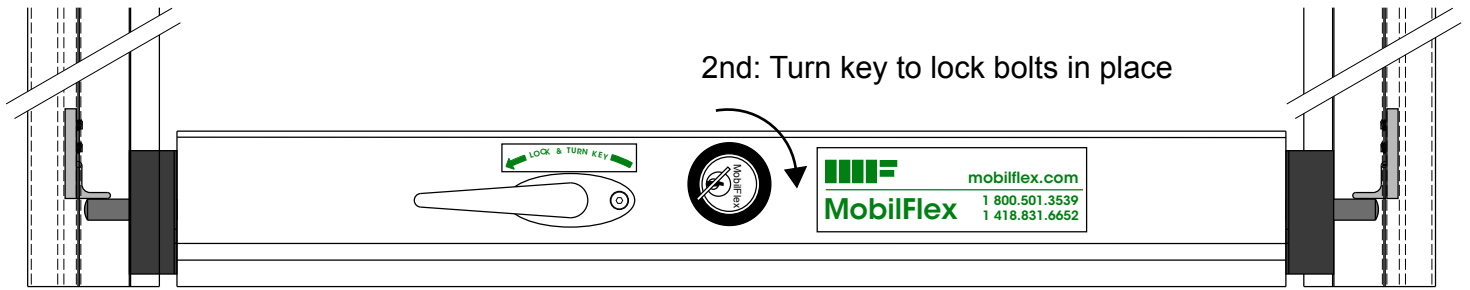
BOTTOM BAR (TO FLOOR)

* or TO COUNTER if width > 16' (4,9m)

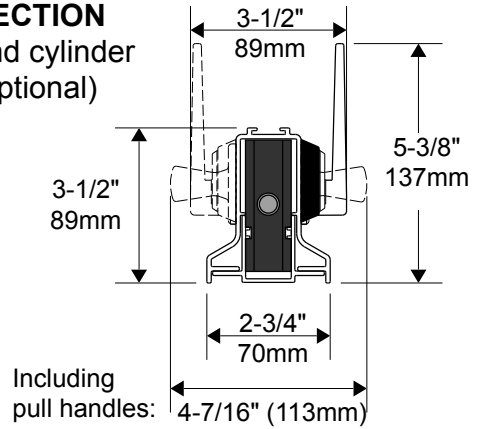
1st: Turn handle to engage bolts into guides



2nd: Turn key to lock bolts in place



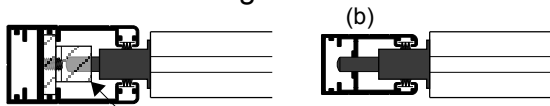
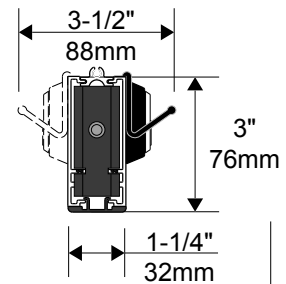
SECTION 2nd cylinder (optional)



BOTTOM BAR (TO COUNTER)

* 16' (4,9m) maximum width for center locking.

SECTION 2nd cylinder (optional)



Turn key to engage bolts:
(a) under stoppers inside guides or
(b) directly into small guides

