

End plate details & Pack-off

IMPERIAL

End plate sizes (For doors maximum 22' wide)

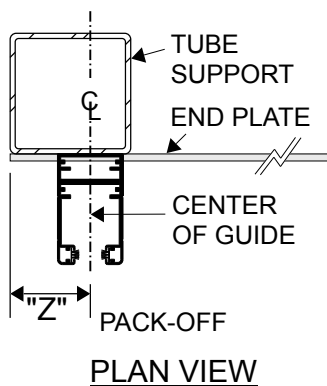
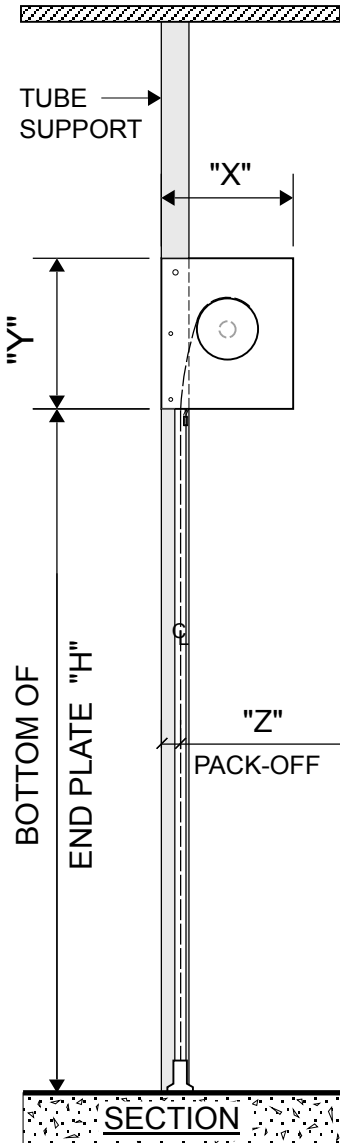
6-5/8" dia BARREL - CEILING HEIGHT					END PLATE "X" x "Y"
ROLL-VISION, R-AIR & R-SHUTTER WITH OR WITHOUT HOOD	ROLL-126 & ROLL-GUARD		ROLL-99		
	WITH HOOD	NO HOOD	WITH HOOD	NO HOOD	
up to 6'	10" x 10" Not available	10" x 10" Not available	10" x 10" Not available	10" x 10" Not available	10" x 10" use 2" Support
6' to 10'	up to 6'	up to 6'	up to 6'	up to 6'	12" x 12" use 5" C.wheel
10' to 18'	6' to 10'	6' to 12'	6' to 13'	6' to 16'	14" x 16" min for motor
18' to 20'	10' to 15'	12' to 17'	13' to 20'	16' to 20'	16" x 18" min for 4"x4"
Over 20' Not available	15' to 20'	17' to 20'	Over 20' Not available	Over 20' Not available	18" x 20"

End plate sizes (For doors over 22' wide / maximum 30' wide)

8-5/8" dia BARREL - CEILING HEIGHT					END PLATE "X" x "Y"
ROLL-VISION, R-AIR & R-SHUTTER WITH OR WITHOUT HOOD	ROLL-126 & ROLL-GUARD		ROLL-99		
	WITH HOOD	NO HOOD	WITH HOOD	NO HOOD	
up to 15'	up to 8'	up to 10'	up to 11'	up to 14'	14" x 16" (1" shaft) min for motor
15' to 20'	8' to 13'	10' to 15'	11' to 18'	14' to 20'	16" x 18" (1 1/4" shaft) min for 4"x4"
Over 20' Not available	13' to 15'	15' to 17'	18' to 20'	Over 20' Not available	18" x 20"
Over 20' Not available	15' to 20'	17' to 20'	Over 20' Not available	Over 20' Not available	20" x 22"

End plate sizes: 4" & 4 1/2" dia Barrel (For Counter Shutter & SLIM models)

CEILING HEIGHT		END PLATE
WITH HOOD	NO HOOD	
up to 6'	up to 7'	8" x 8"
6' to 10'	7' to 12'	10" x 10"



Pack-off "Z"

SUPPORT	For 3" x 3" tubes and 1 3/4" x 4" Alum tubes			For 4" x 4" tubes	
CEILING HEIGHT	up to 10'	10' to 13'	13' to 16'	up to 11'	11' and up
PACK-OFF "Z"	2"	2 1/4"	2 1/2"	2 1/4"	2 1/2"

* For Angle support, pre-drilled holes indicate pack-off.