

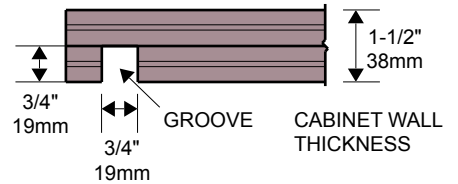
## CABINET SHUTTER Packing list & Installation instructions

Shutter # (qty)	Width x Height (sq.ft)	Hardware	qty (x)
_____	_____	( ) MobilFlex cylinder, # of keys	_____
_____	_____	Groove stoppers (2/un.) R-3414	_____
_____	_____	Bungee cord ( ) R-3613	_____
_____	_____	S-Hook for bungee (2/un.) R-3615	_____
_____	_____	Steel clamp bracket (1/un.) R-3054	_____
_____	_____	#8 x 1-1/2" screws (4/un.) R-3055	_____
_____	_____	#8 x 5/8" screws (2/un.) R-3049	_____
_____	_____	Rivets 1/8" x 1/2" (2/un.) MF 416	_____

Ship to \_\_\_\_\_  
 Attention \_\_\_\_\_  
 Tel \_\_\_\_\_  
 Date \_\_\_\_\_  
 Freight by \_\_\_\_\_  
 Packed \_\_\_\_\_  
 Verified \_\_\_\_\_  
 Date \_\_\_\_\_

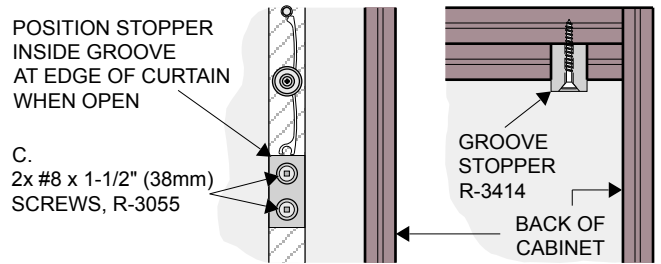
### 1. Verification:

- Check that the cabinet dimensions correspond to the dimensions on the shop drawing.
- Cabinet walls must be a minimum of 1-1/2" (38mm) thick.
- Shutter will roll inside grooves and lining provided by the cabinet manufacturer. Interior finished dimensions of grooves must be 3/4" x 3/4" (19x19mm).



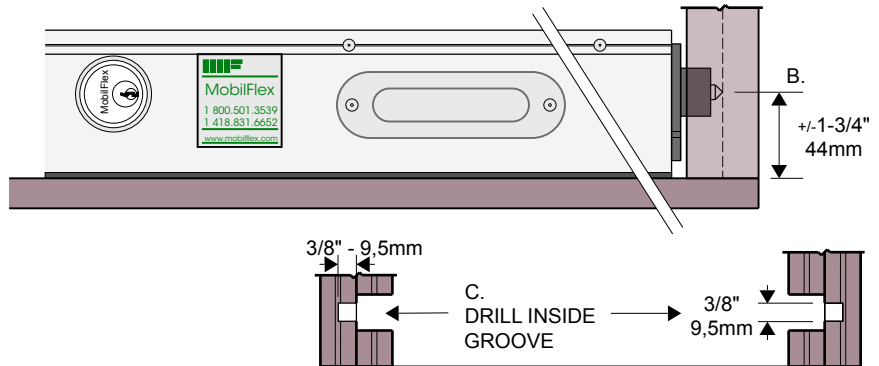
### 2. Installation:

- Provide an access panel to insert the shutter into the grooves of the cabinet. **\*\*\*IMPORTANT\*\*\***
- Insert bottom bar into grooves and attach to curtain with rivets.
- If length of grooves are longer than required to stop the shutter at the back when fully opened, install stoppers, R-3414 inside grooves with 2x #8 x 1-1/2" (38mm) screws, R-3055.



### 3. Bottom bar locking inside grooves:

- Lower the shutter in the closed position.
- Activate the lock to mark the hole position inside the grooves. Should be +/- 1-3/4" (44mm) above sill.
- Drill 3/8" (9,5mm) dia. holes by 3/8" (9,5mm) deep in each groove for locking pins to secure the shutter.



### 4. Counter balance (bungee cord): **\*\*\*IMPORTANT\*\*\***

- Attach the S-hooks, R-3615 to each end of the bungee cord, R-3613.
- Insert the S-hooks in the predrilled holes of the top slat of the shutter.
- Attach the bungee cord to the back of the cabinet at mid-distance between the stoppers and the top of the curtain with the steel clamp bracket, R-3054 and 2x wood screws #8 x 5/8" (16mm), R-3049.
- Adjust tension making knots to shorten length of the bungee cord until you reach the ideal tension for the shutter in fully open and closed positions.

