

# COUNTER SHUTTER & SLIM MODELS

## Installation instructions

### Manual operation

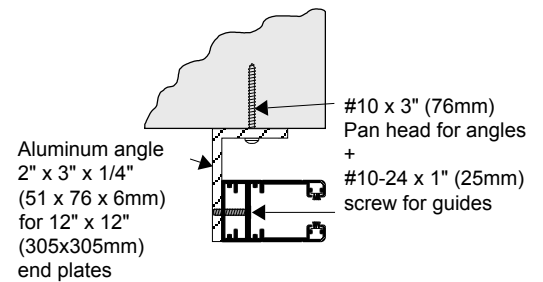
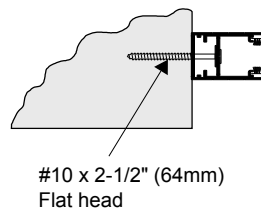
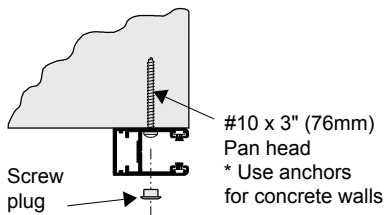
#### 1. Site verification:

- A. Check to see if the **width** and **height** on site correspond to drawings.
- B. All preparation work including adequate wall structure must be completed.

**Do not begin the installation** until all requirements are met. Please report to the client and MobilFlex any problems or differences with the shop drawings before starting the installation. Contact MobilFlex at 1.418.831.3539 or 1.800.501.3539.

#### 2. Guide and bottom bar installation:

- A. It is imperative that guides are installed plumb and level in all directions.
- B. Width is critical. Install guides (or angles) as indicated on the shop drawing.
- C. For concrete walls, mark the location of the mounting holes and install anchors.
- D. Verify if the clearance above guides is sufficient to raise the barrel assembly and insert the end plates into guides (*as shown in point 4*). If not, insert the barrel and end plate assembly into guides before attaching guides to the mounting surface. (*refer to point 3 and 4*)
- E. Attach guides (or angles) to the mounting surface with the provided hardware.
- F. For face of wall mount, install plastic grey screw plugs into the guides mounting holes.
- G. Slide bottom bar into guides with the predrilled holes on the interior side. (*refer to point 7 C.*) If rivets are provided, insert bottom bar with predrilled holes towards the exterior.

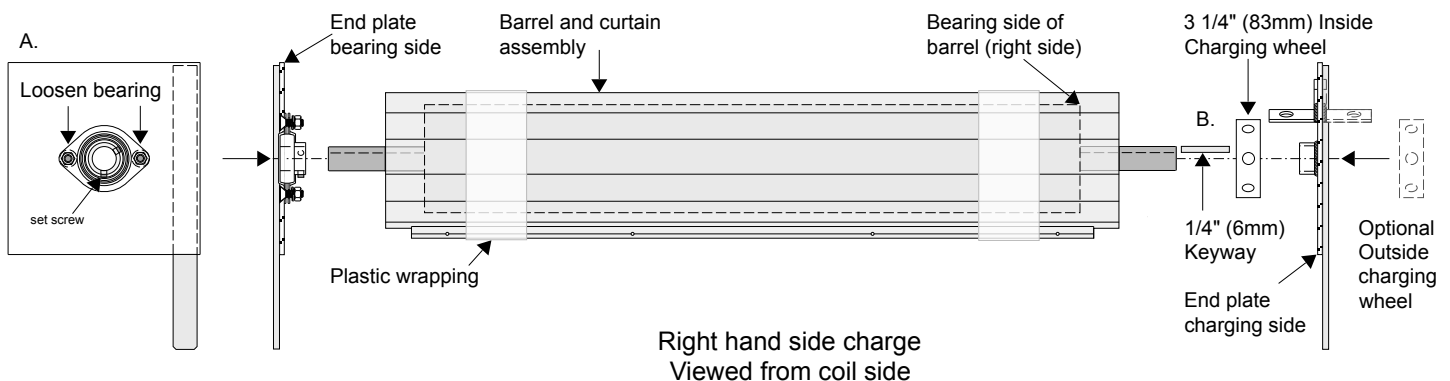


#### 3. Barrel and end plate assembly:

For outside charge: **Do not remove** plastic wrapping around curtain and barrel.

For inside charge: To make installation easier, if you prefer, you can remove the curtain from the barrel.

- A. Loosen the self-centering bearing on the bearing side end plate and slide the end plate onto shaft at opposite end of the bearing side of barrel.
- B. For an inside charge, slide the 3 1/4" (83mm) charging wheel and 1/4" x 2" (6x51mm) keyway on the shaft at the bearing side of barrel. Slide in the charging side end plate on the shaft.



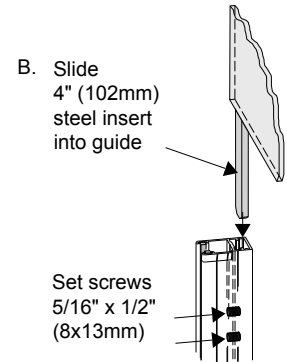
## COUNTER SHUTTER & SLIM MODELS

### Installation instructions

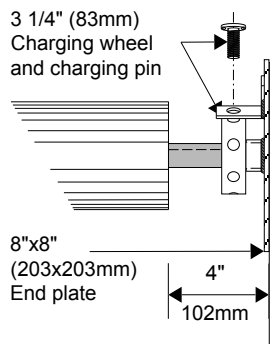
#### Manual operation

#### 4. Installation of barrel and end plate assembly:

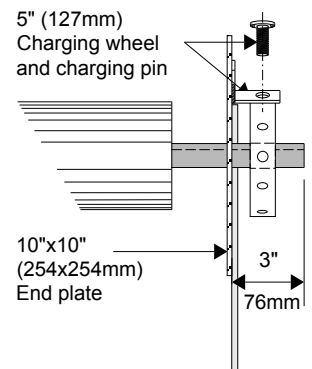
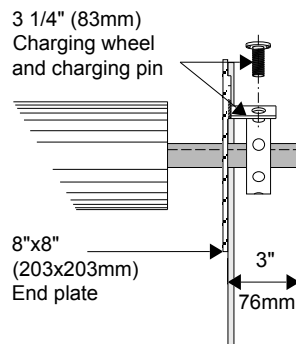
- On a cardboard, place the barrel assembly on the floor near the guides. Orient the barrel so that the charge side is as indicated on the shop drawing. This is done by looking at the curtain from the coil side.
- Using a lift, raise the barrel assembly and insert the end plates into the guides. Tighten the set screws.
- Center the barrel assembly between the end plates.



**For an inside charge:**  
The end plates are flush with the ends of the shaft.



**For an outside charge:**  
The outside face of the end plates are at 3" (76mm) from the edge of the shaft.

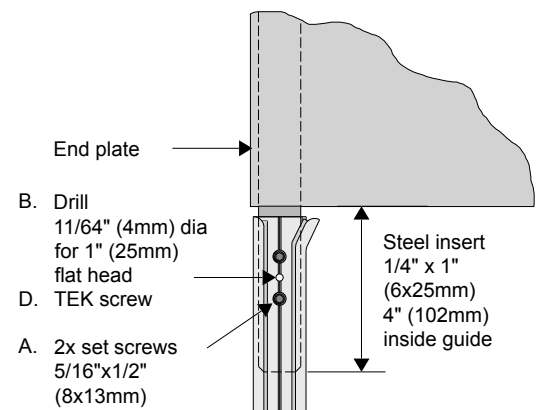


#### 5. Bearing and Charging wheel:

- Retighten bearing on the end plate and secure bearing to the shaft using the set screws making sure that one set screw is in the keyway in the shaft.
- For an outside charge, slide the 3 1/4" (83mm) or 5" (127mm) charging wheel and 1/4" x 2" (6x51mm) keyway on the shaft.
- For outside charge: Align the charging wheel with the charging pin and tighten the set screw.  
For inside charge: Wait until you reach section 8.

#### 6. Height adjustment (if required):

- Secure in place the first (highest) end plate to the guide. Make sure the 2 set screws are tight.
- Drill a 11/64" (4mm) dia hole and add 1x #10 x 1" (25mm) flat head TEK screw between the 2 set screws.
- To adjust the level of the barrel if required, raise the end plate on the other side.
- Tighten both set screws and secure in place with a TEK screw as described above in point B.



## COUNTER SHUTTER & SLIM MODELS

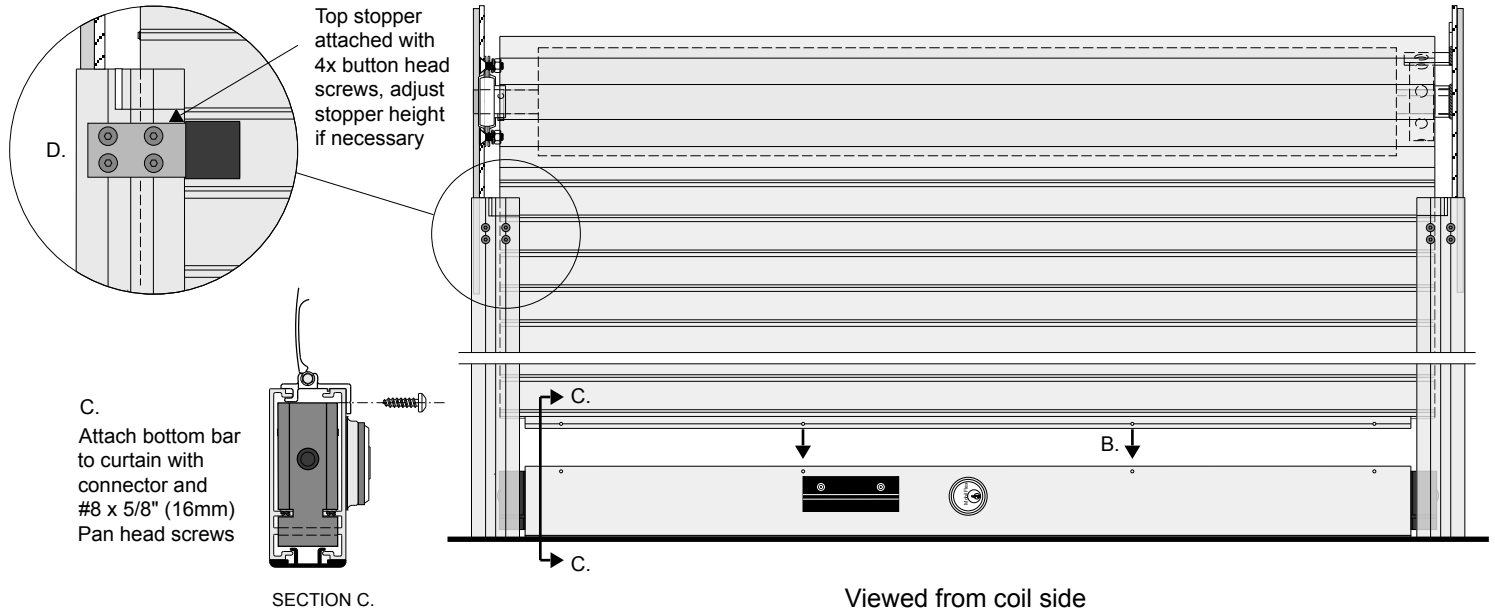
### Installation instructions

#### Manual operation

#### 7. Curtain:

(If curtain is not wrapped around barrel, attach curtain to barrel at this time. Secure curtain to barrel with manila rope slings and attach top slat to barrel with #10-24 screws in pre-tapped holes of barrel.)

- Remove the plastic wrapping around the curtain.
- Insert the curtain into the guides and slowly rotate the barrel to lower the curtain to the bottom bar.
- Insert the connector into the bottom bar and attach together with #8 x 5/8" (16mm) Pan head screws.
- Remove the button head screws from the guides to install the top stoppers.



#### 8. Charge of spring assembly: \*\*\* IMPORTANT \*\*\*

To charge the spring assembly, stand on the coil side. The direction of charging is shown on the end plate.

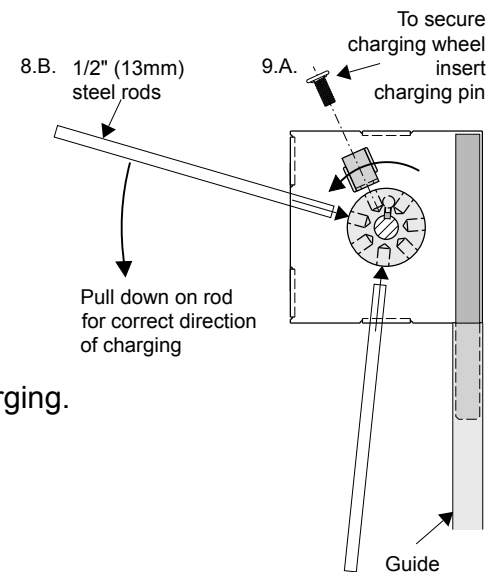
- Make sure the charging wheel set screw is tight.
- Use two 1/2" (13mm) rods (*not included*) inserted in the charging wheel to charge the spring. On the shop drawing, you will find a guideline for the number of turns (complete revolutions) required.

##### **For an outside charge:**

Charge until curtain supports itself.

##### **For an inside charge:**

Hang down shutter. A helper should hold the curtain down while charging.



#### 9. Testing of the charge:

- Insert the charging pin to hold the charging wheel in position.
- Test the closure in 3 positions throughout the opening.
  - Down position: Only a small amount of pressure should be required to hold down the shutter.
  - Middle of the opening: The curtain should stay in position or slowly rise.
  - Approximately 12" (305mm) below the ceiling: The curtain should stay in position or slowly rise.
 If not, adjust the charge.
- Operate the shutter several times to verify smooth operation.

## COUNTER SHUTTER & SLIM MODELS

### Installation instructions

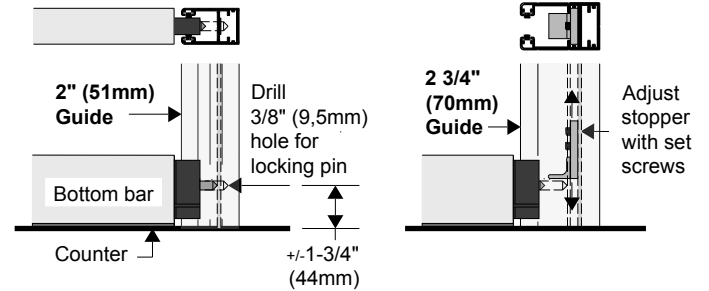
#### Manual operation

#### 10. Bottom bar locking inside guide:

Lower the shutter in the closed position.

**For 2" (51mm) Guide:** Activate lock to mark hole position inside guides. Drill 3/8" (9,5mm) dia holes for locking pins to secure the shutter.

**For 2-3/4" (70mm) Guide:** Adjust height of bottom stoppers above the locking pins. Clearance under bottom bar should be approximately 1/16" (2mm).



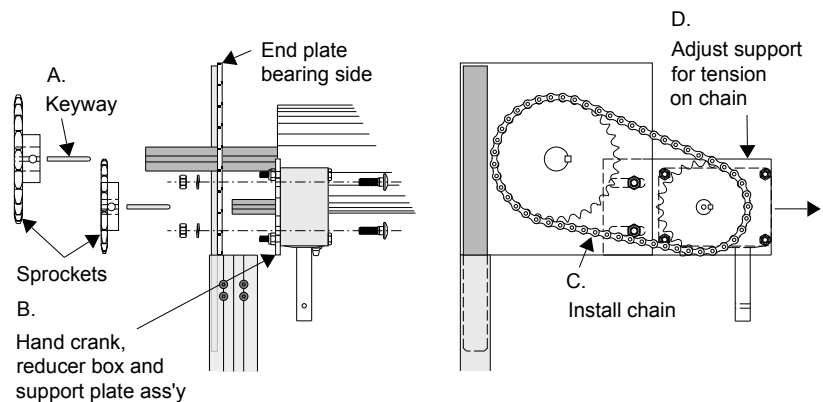
A pull rod is provided to aid in the operation of the door.

#### Options:

(Refer to the applicable option(s), continue to point 11 for hand crank and/or 12 for hood.)

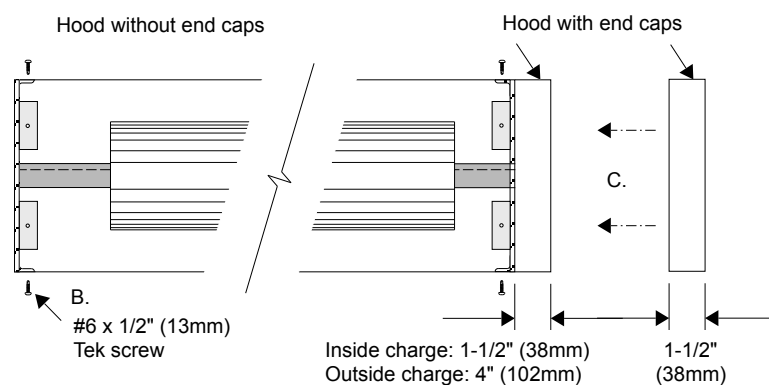
#### 11. Hand crank:

- Slide the sprocket and keyway on the shaft.
- Install the reducer box and support plate assembly to the end plate.
- Install the chain, adjust the length and connect chain with link.
- Put tension on the chain by adjusting the support plate. Insert the crank handle to operate.



#### 12. Hood:

- If the hood is made of 2 parts, assemble together with screws before attaching to the end plates. If there are no end caps, the hood should expand from end plate to end plate. If end caps are provided, the hood should expand 1-1/2" (38mm) or 4" (102mm) beyond the end plates on each side.
- Secure the hood with #6 x 1/2" (13mm) Tek screws to the tabs on the end plates.
- If provided, install end caps.



#### 13. Final inspection of installation:

Some steps may need to be modified to account for custom options or unique site conditions.

- Upon completion, the installer is to verify that all components of the shutter work properly.
- Ensure that the shutter is left clean and the keys are delivered to the customer.
- Explain to customer the proper operation of the counter shutter.
- Have the client sign the client's installation approval.
- Please recycle packaging materials.