

TUBULAR MOTORIZED CLOSURES

Installation instructions

with in guide interlock switch

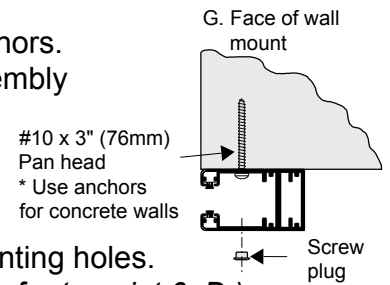
1. Site verification:

- A. Check to see if the **width** and **height** on site correspond to drawings.
 - B. All preparation work including adequate wall structure must be completed.
- Standard installation requires up to a **minimum of 20" (508mm)** above the opening to be able to insert the end plates into the guides. If not enough clearance above the opening, either lateral support is required to mount the end plates or the door must be fully assembled before it can be installed.

Do not begin the installation until all requirements are met. Please report to the client and MobilFlex any problems or differences with the shop drawings before starting the installation. Contact MobilFlex at 1.418.831.3539 or 1.800.501.3539.

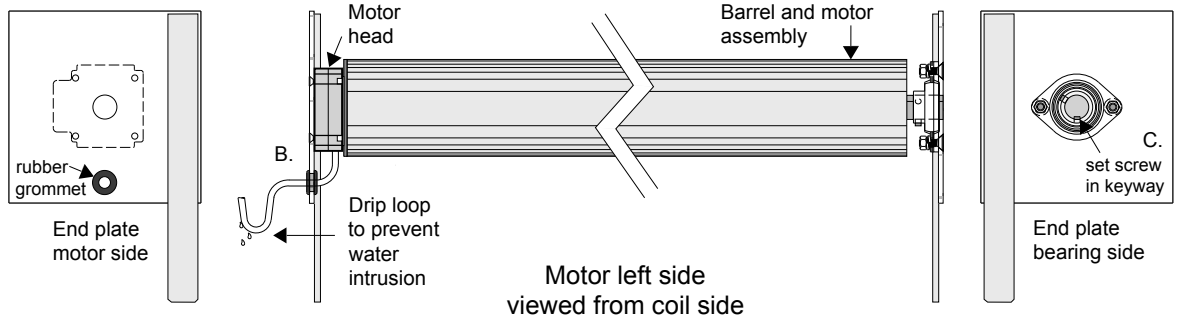
2. Guide and bottom bar installation:

- A. When supports (tubes or angles) are provided, install support **plumb** and **level** secured to structure and positioned as shown on the shop drawing. End plates will be mounted to the support.
- B. It is imperative that the guides are installed **plumb** and **level** in all directions.
- C. Locate the exact position of the guides as indicated on the shop drawing.
- D. For concrete walls, mark the location of the mounting holes and install anchors.
- E. Verify if the clearance above the guides is sufficient to raise the barrel assembly and insert the end plates into the guides (*as shown in point 4. A.*). If not, insert the barrel and end plate assembly into the guides before attaching the guides to the mounting surface.
- F. Attach the guides to the mounting surface with the provided hardware.
- G. For face of wall mount, install plastic grey screw plugs into the guides mounting holes.
- H. Slide bottom bar into guides with the predrilled holes on the interior side. (*refer to point 6. D.*) If rivets are provided, insert bottom bar with predrilled holes towards the exterior.



3. Barrel and end plate assembly:

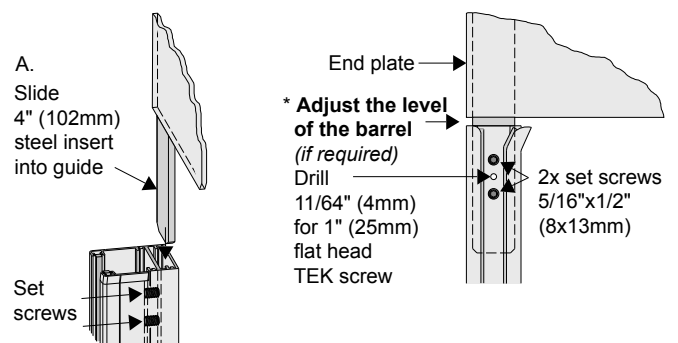
- A. Orient the barrel assembly on the floor near the guides so that the motor side is as shown on the shop drawing. This is done by looking at the curtain from the coil side.
- B. Pass the wire through the rubber grommet.



- C. Loosen the set screws on the bearing to adjust the position of the end plate to the required width.

4. Installation of barrel and end plate assembly:

- A. Using a lift, raise the barrel assembly and insert the end plates into the guides or if supports are provided, attach the end plates to the support with the appropriate hardware.
- B. Retighten the bearing on the end plate and secure bearing to the shaft using the set screws making sure that one of the set screws is into the keyway of the shaft.



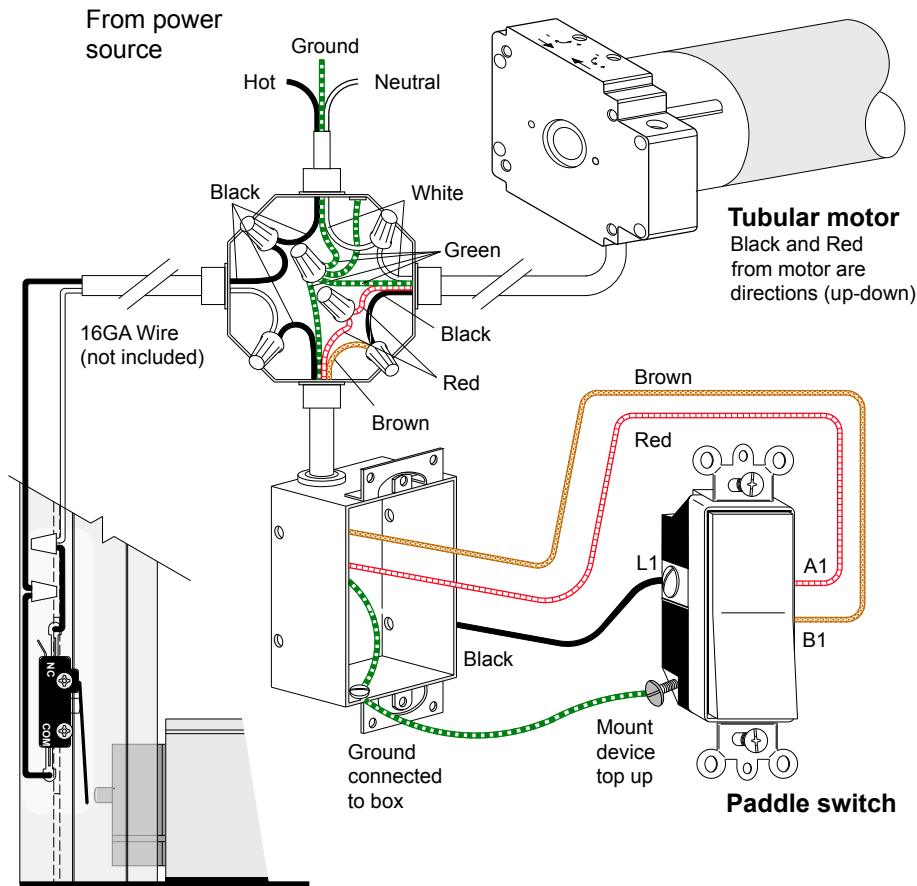
TUBULAR MOTORIZED CLOSURES Installation instructions with in guide interlock switch

5. Motor:

A. All wiring must conform to the National electric code and local codes. Follow wiring diagram.

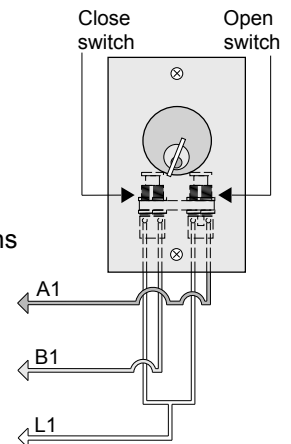
For the in guide interlock switch:

- if installed between 2 walls, run the wire in the aluminum tube,
- if installed face of wall, run the wire in the back section of the guide.



Do not connect 2 motors to a single control switch.

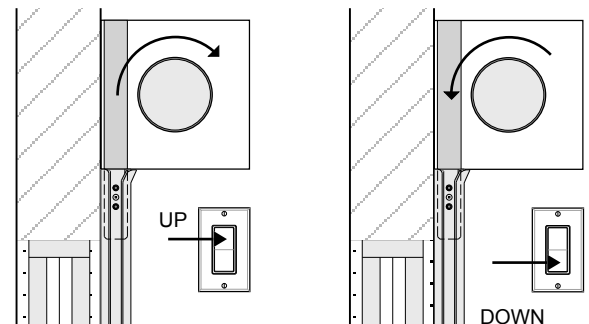
Optional: Key switch



Inside guide interlock switch (on motor side)

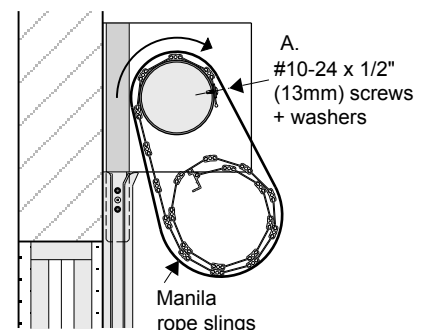
- B. Verify the direction of rotation of the barrel. Barrel must rotate as illustrated. If wiring needs to be rectified, cut the power and reverse the direction wires A1 (red) and B1 (brown) on the control switch.

C. Verify direction of rotation



6. Curtain and Bottom bar:

- A. Secure curtain to barrel with manila rope slings and attach the top slat to the barrel with #10-24 x 1/2" (13mm) screws and washers in pre-tapped holes of barrel.
- B. Pulling away from the guides, roll the curtain around the barrel using the motor if connected or the motor's hand crank.
- C. Insert the curtain into the guides and lower the curtain to the bottom bar.



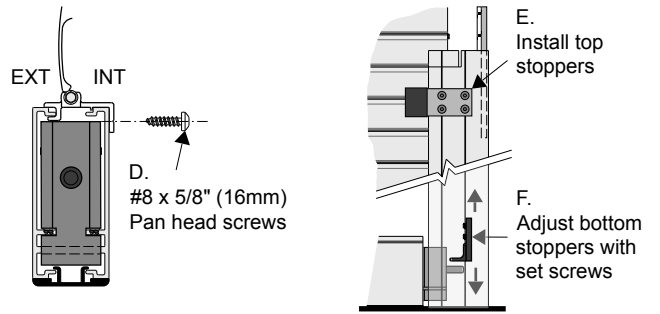
TUBULAR MOTORIZED CLOSURES

Installation instructions

with in guide interlock switch

6. Curtain and Bottom bar:

- D. Insert the connector into the bottom bar and attach together with #8 x 5/8" (16mm) screws.
- E. Remove the button head screws from the guides to install the top stoppers.
- F. Adjust the height of the bottom stoppers inside guides with set screws.



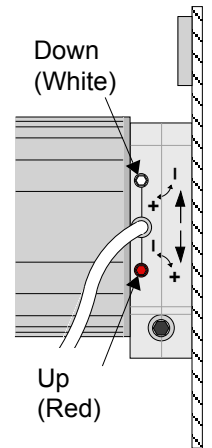
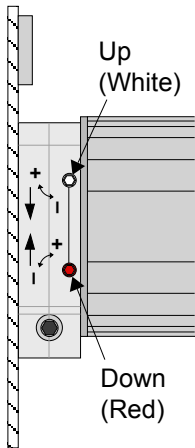
7. Adjustment of limit switches:

- A. Identify which limit adjustment screw controls the upper limit and lower limit. The arrows on the motor head refer to the direction of the curtain on the barrel. Turning the adjustment screw towards the positive (+) will increase the maximum travel distance that it controls and turning it towards the negative (-) will decrease the maximum travel distance. Every 2 or 3 turns of the adjustment screws modifies the travel distance about 1" (25mm).

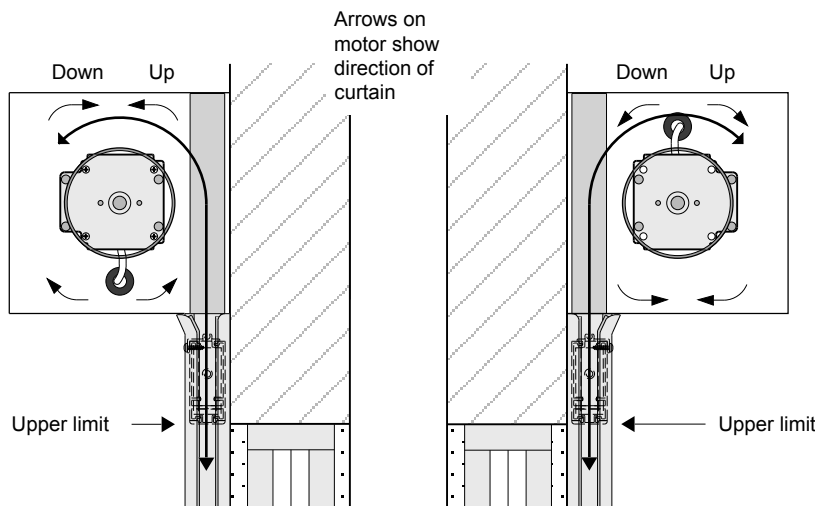
Motor left side
(viewed from coil side)

Adjusting 5/32"(4mm)
green Allen key
(supplied in envelop)

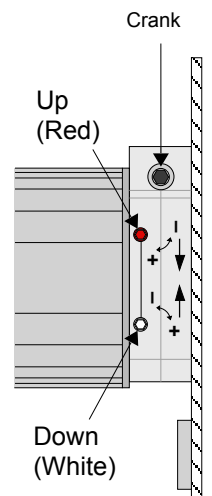
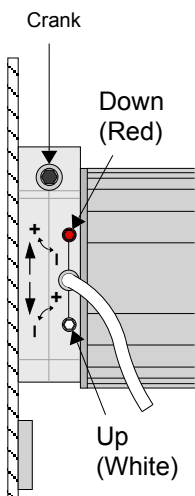
Motor right side
(viewed from coil side)



Top view



Bottom view



TUBULAR MOTORIZED CLOSURES Installation instructions with in guide interlock switch

7. Adjustment of limit switches:

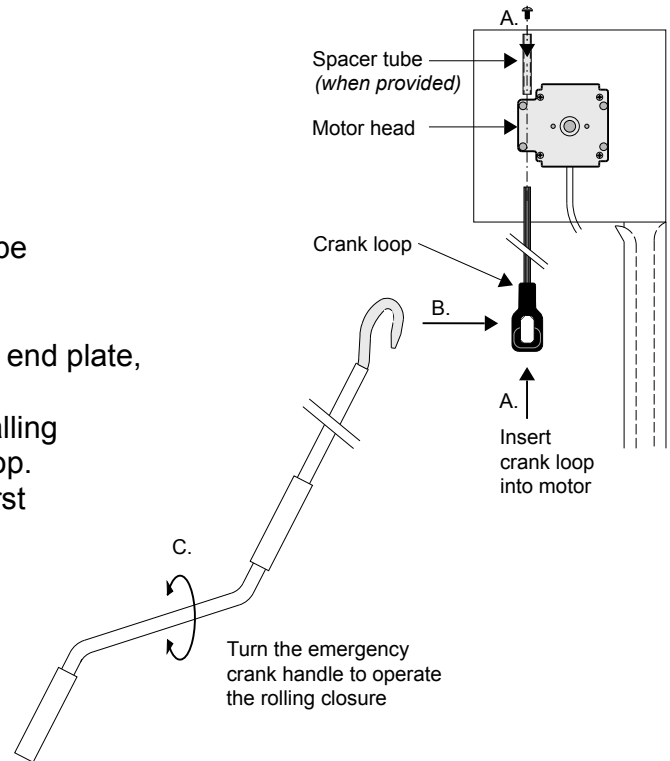
- B. If the motor stops before reaching the desired limit position, turn the appropriate limit screw towards the positive (+) a few turns and verify the new limit position. If the motor does not stop on its own at the desired limit position, stop the motor. Then turn the adjustment screw towards the negative (-). (Up to 120 turns may be required.)
- C. Repeat for the other limit.

8. Manual override (Hand crank): *(if included)*

To be used only in case of power failure.

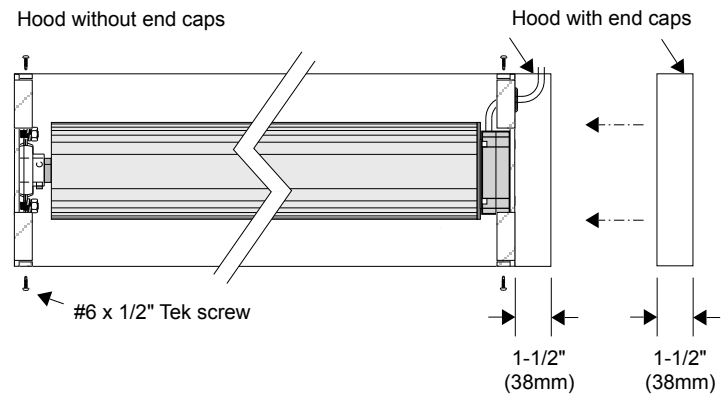
Never operate the rolling closure via the control switch while using the emergency crank.

- A. Insert the crank loop into the motor head. A spacer tube may be added to adjust the length of the crank loop. Attach with the screw at the top.
 - If a hood is included and there is clearance above the end plate, the hood must be installed before the crank hook.
 - Tip: Inserting the screw in the motor head before installing the hood will make it easier to install the crank loop.
 - If there is no clearance above, put in the crank loop first and redrill a bigger hole for the crank loop before installing the hood.
- B. Hook the crank handle onto the loop.
- C. Turn the handle to raise or lower the rolling closure.



9. Hood: *(if included)*

- A. If the hood is made of 2 parts, assemble together with screws before attaching to the end plates.
 - If there are no end caps, the hood should expand from end plate to end plate.
 - If end caps are provided, the hood should expand 1 1/2" (38mm) beyond the end plates on each side.
- B. Secure the hood with #6 x 1/2" Tek screws to the tabs welded to the end plates.
- C. If provided, insert end caps inside hood and attach with screws.



10. Final inspection of installation:

Some of the above steps may need to be modified to account for custom options or unique site conditions.

- A. Upon completion, the installer is to verify that all components of the rolling closure work properly.
- B. Ensure that the rolling closure is left clean and the keys are delivered to the customer.
- C. Explain to customer the proper operation of the rolling closure.
- D. Have the client sign the client's installation approval.
- E. Please recycle packaging materials where possible.